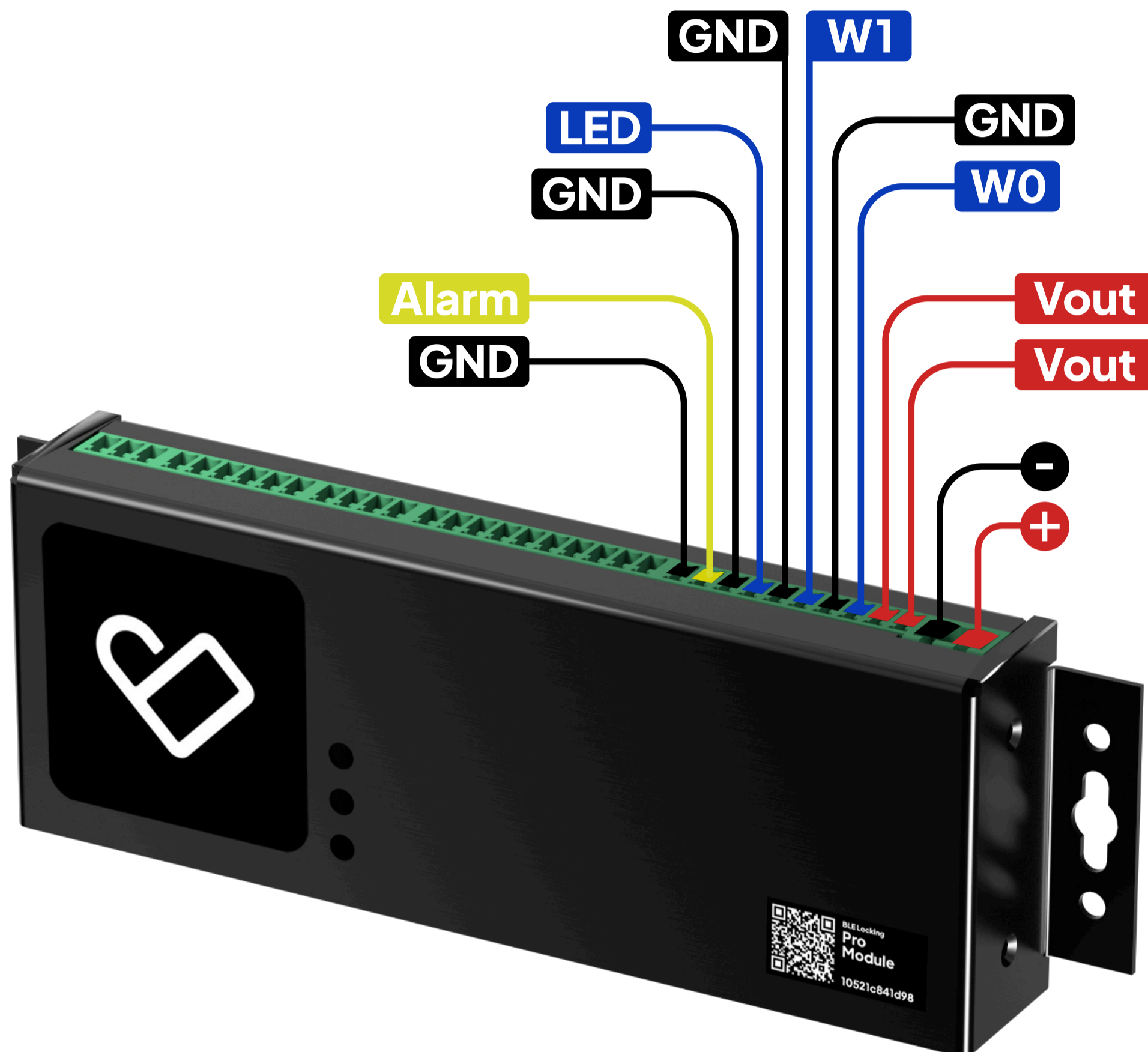


Pro Module connection diagram



Power

1. Vin +9 - +40V
2. GND

IO1

1. Vout
2. Vout

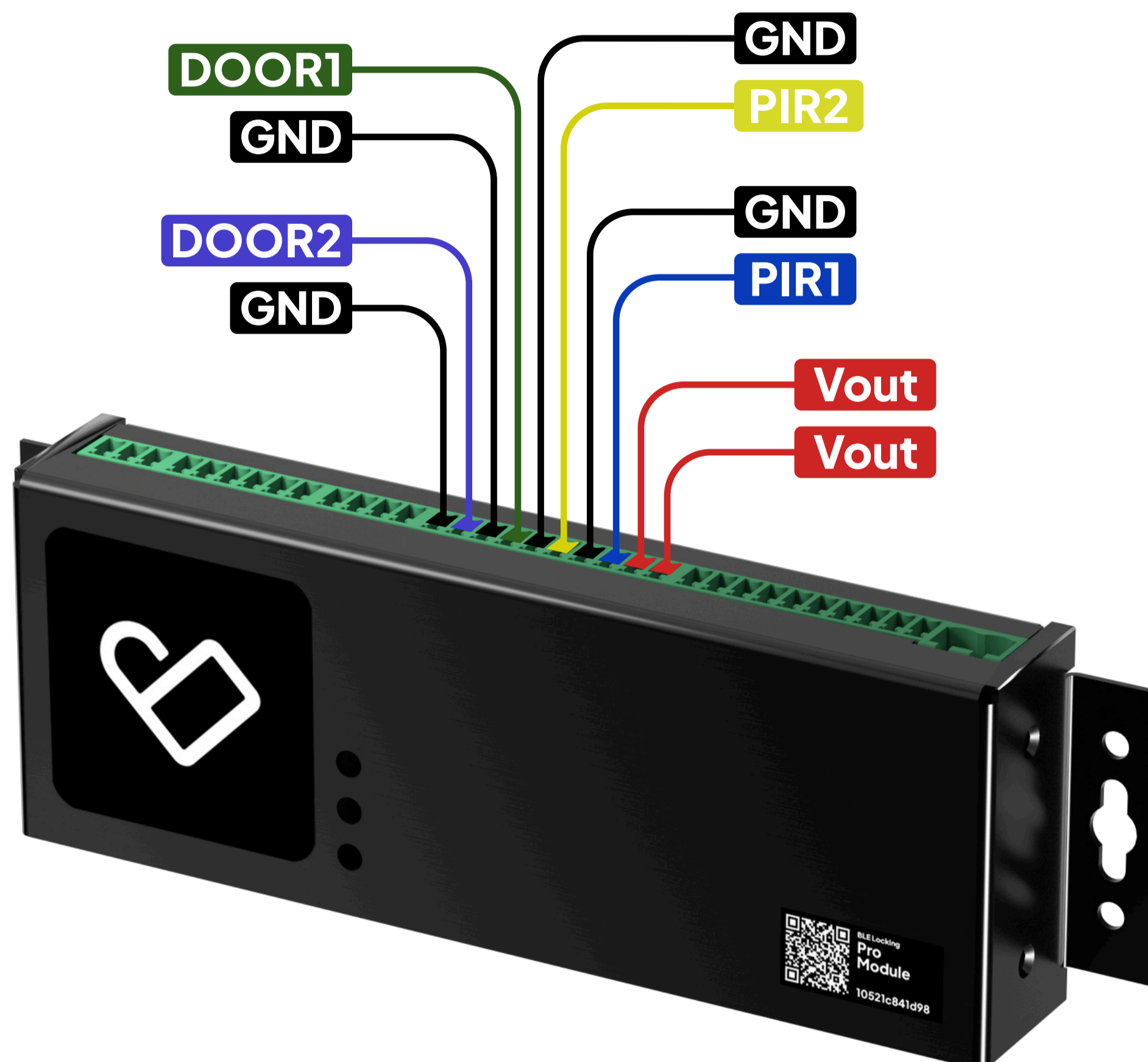


3. Wiegand data 0
4. GND
5. Wiegand data 1
6. GND
7. Reader LED
8. GND



9. Smoke Alarm
10. GND

Pro Module connection diagram



IO2

1. Vout
2. Vout

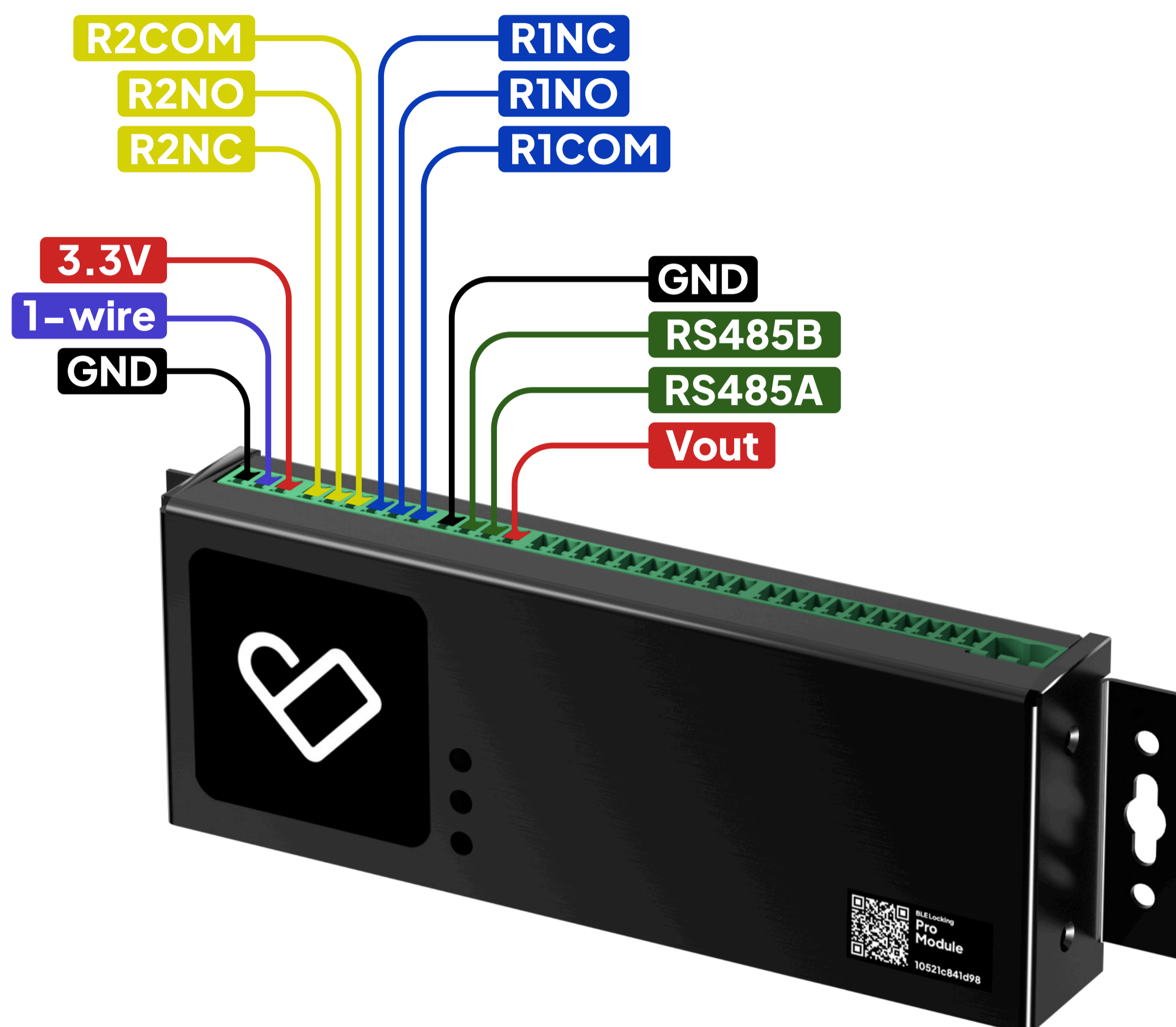


3. PIR Sensor 1
4. GND
5. PIR Sensor 2
6. GND



7. Door Sensor 1
8. GND
9. Door Sensor 2
10. GND

Pro Module connection diagram



RS485

1. Vout
2. RS485 A
3. RS485 B
4. GND

Relays

1. R1 COM
2. R1 NO
3. R1 NC
4. R2 COM
5. R2 NO
6. R2 NC

1-wire

1. 3.3V
2. 1-wire
3. GND