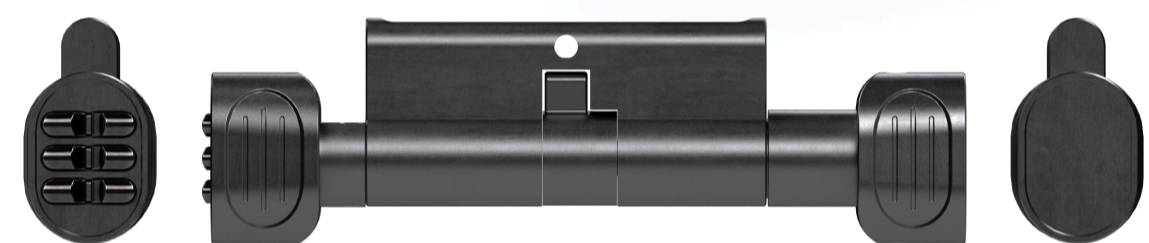


BLE Locking Euro Cylinder

All keys safely in one place – your mobile phone. Your smartphone is now your digital key! The BLE Locking Euro cylinder enables digital management for key-operated door locks. Use all your digital keys safely and conveniently via your mobile app and share access rights with anyone you want, no internet connection is required. The product uses CR2 batteries that last for several years.

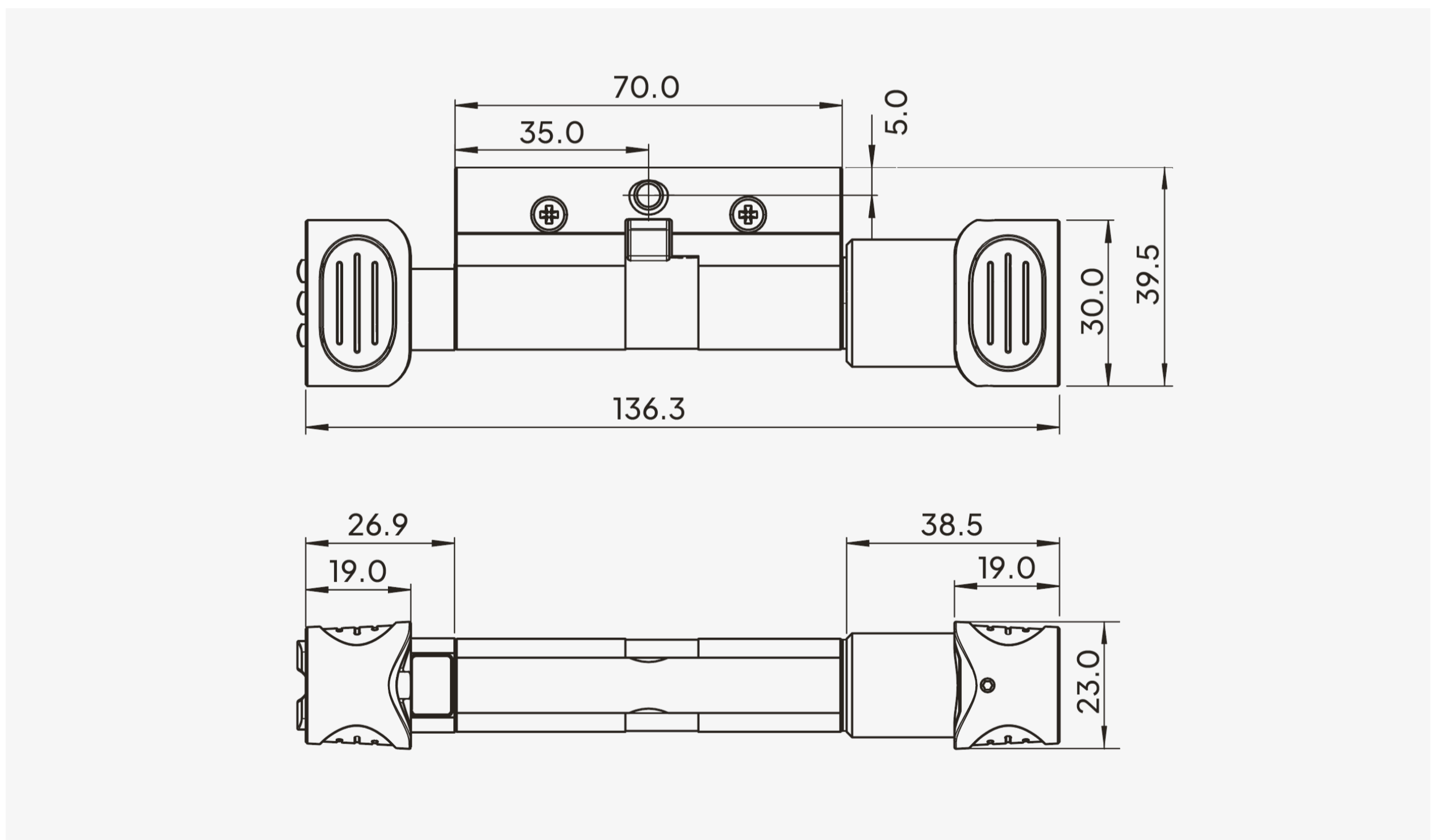


Features

- **Physical keys made digital.** Digitize the door to your home, office or summer cottage. Instead of a physical key, you will use a digital one, stored safely on your phone, in the BLE Locking app.
- **Suitable for various doors.** The BLE Locking Euro cylinder can be installed to any manufacturer's door. You will also have the PIN access option. Installation of the cylinder is easy. If necessary, contact a company specializing in door locks for advice. [View the installation video: blelocking.com](https://blelocking.com)
- **Works without an Internet connection.** The BLE Locking Euro cylinder functions based on the BLE (Bluetooth Low Energy) standard and does not require an Internet connection to open the accessway.
- **Possibility to share access rights.** Send the digital key effortlessly to a visitor standing at your door, even when you are halfway across the globe. Keys can be issued for single or multiple use and, if desired, for specific dates and times.
- **Digital keys with bank-level security.** You can select different security levels, from standard to bank-level security. In the latter instance, your digital keys will be treated as money in the bank.
- **A solution without monthly fees.** The BLE Locking Euro cylinder is available without a monthly fee. Purchasing the module is a single investment, after which you will only pay for the digital key generation whenever you need one. **Solutions priced from 239 €**

Product details

Compatibility	Standard Euro lock aperture Door maximum thickness 70 mm, including core covers
Material	Stainless steel
Colour options	Satin black Satin chrome
Power supply	CR2 lithium battery USB
Communication protocols	BLE (Bluetooth Low Energy)
Operating temperature	-30 ° to 60 °C
Weight	280g



BLE Locking and the logo comprise a registered trademark owned by BLE Locking OÜ. Other trademarks and trade names are those of their respective owners.

we put our  in locking

Customer support
support@blelocking.com

Sales
sales@blelocking.com

More information
blelocking.com